

KNIFE GATE VALVE CAST IRON-STAINLESS STEEL-NBR PN10 S-GATE

Unidirectional cast iron knife gate valve for water, water treatment, chemical pulp, powders, food industry, chemistry
PTFE packing with ductile iron packing gland nut for a better mechanical resistance.

Centered index allowing the installation of the sensor with a small footprint.

Ribbed support plate for a better rigidity.

Interchangeable seat (NBR, EPDM, FKM, SILICONE, PTFE).

Certificate

3.1



Size : DN50 to DN1000

Connection : Between flanges PN10

Min Temperature : -10°C

Max Temperature : +90°C

Max Pressure : 10 Bars up to DN200

Specifications : Rising non rotating stem, non rising handwheel

Unidirectional tightness

Weak head loss

Materials : Cast iron EN GJL-250

KNIFE GATE VALVE CAST IRON-STAINLESS STEEL-NBR PN10 S-GATE

SPECIFICATIONS :

- Opened or closed valve
- Rising non rotating stem, non rising handwheel
- Unidirectional tightness (Respect the flow direction indicated by the arrow)
- Weak head loss
- Between flanges PN10
- Full crossing threaded lower holes and blind threaded top holes
- With handwheel
- With lever or chain handwheel (option)
- Possible with bipolar sensor O + C , voltage AC 15-240V 3A, IP66 type XCK M115C
- Deflector (option)
- 50% epoxy 50% polyester painting blue colour RAL 5005
- Other seats on request (FKM, PTFE, SILICONE ...)

USE :

- Water, water treatment, chemical pulp, powders, food industry, chemistry
- Min and max Temperature Ts : - 10°C to + 90°C for cast iron body with NBR seat **Ref.170**
- Min and max Temperature Ts : - 20°C to + 130°C with **WHITE EPDM** seat(on request)
- Min and max Temperature Ts : - 10°C to + 180°C with **FKM** seat(on request)
- Min and max Temperature Ts : + 0°C to + 180°C with **PTFE** seat (on request)
- Min and max Temperature Ts : - 20°C to + 200°C with **SILICONE** seat (on request)
- When using powders, inverse flow direction

MAX PRESSURE :

DN	50	65	80	100	125	150	200	250	300	350	400	450	500	600	700-1000
Ps (Bars)	10	10	10	10	10	10	10	8	6	4	4	3	3	3	2

MIN AND MAX SEAT TEMPERATURES WITH REFERENCES :

SEAT	TEMPERATURE	DN 50	DN 65	DN 80	DN 100	DN 125	DN 150	DN 200	DN 250	DN 300
NBR	-10°C à +90°C	9801851	9801852	9801853	9801854	9801855	9801856	9801857	9801858	9801859
EPDM	-20°C à +130°C	9801870	9801871	9801872	9801873	9801874	9801875	9801876	9801877	9801878
WHITE EPDM	-20°C à +130°C	9802170	9802171	9802172	9802173	9802174	9802175	9802176	9802177	9802178
FKM	-10°C à +180°C	9801910	9801911	9801912	9801913	9801914	9801915	9801916	9801917	9801918
PTFE	+0°C à +180°C	9801890	9801891	9801892	9801893	9801894	9801895	9801896	9801897	9801898
SILICONE	-20°C à +200°C	9801930	9801931	9801932	9801933	9801934	9801935	9801936	9801937	9801938

SEAT	TEMPERATURE	DN 350	DN 400	DN 450	DN 500	DN 600	DN 700
NBR	-10°C à +90°C	9801860	9801861	9801862	9801863	9801864	9801865
EPDM	-15°C à +130°C	9801879	9801880	9801881	9801882	9801883	9801884
WHITE EPDM	-15°C à +130°C	9802179	9802180	9802181	9802182	9802183	9802184
FKM	-10°C à +180°C	9801919	9801920	-	-	-	-
PTFE	+0°C à +180°C	9801899	9801900	-	-	-	-
SILICONE	-20°C à +200°C	9801939	9801940	-	-	-	-

KNIFE GATE VALVE CAST IRON-STAINLESS STEEL-NBR PN10 S-GATE
NUMBER OF CYCLES TO CLOSE OR OPEN THE VALVE :

DN	50	65	80	100	125	150	200	250	300
Number of cycles	15	18.75	22.5	27.5	33.75	40	42	52	62

DN	350	400	450	500	600	700	800
Number of cycles	60	68.3	76.7	85	101.7	88.75	101.25

FLOW COEFFICIENT Kvs (M3 / h) :

DN	50	65	80	100	125	150	200	250	300
Kvs (m3/h)	447	755	1144	1787	2793	4021	7149	11171	16086

DN	350	400	450	500	600	700	800	900	1000
Kvs (m3/h)	21895	28597	36193	44683	64343	87579	114388	144773	178732

HEAD LOSS CALCULATION :

$$\Delta p = (Q / K_v)^2 \times SG$$

Q : flow in m³/h

Δp : Head loss in bar

SG : Specific gravity (= 1 for water)

Kv : Volume of water in m³/h, that will flow through a given restriction or valve opening with a pressure drop of 1 bar at 20°C)

TORQUE VALUES (in Nm without safety coefficient) :

DN	50	65	80	100	125	150	200	250	300
Torque (Nm)	8	10	12	14	16	24	24	38	32

DN	350	400	450	500	600	700	800	900	1000
Torque (Nm)	51	61	65	72	80	107	138	172	211

STEM THREADING SIZE :

DN	50	65	80	100	125	150	200	250	300
Threading (mm)	Tr 20x4						Tr 25x5		

DN	350	400	450	500	600	700	800	900	1000
Threading (mm)	Tr 35x6					Tr 50x8			

KNIFE GATE VALVE CAST IRON-STAINLESS STEEL-NBR PN10 S-GATE

RANGE AND ACCESSORIES :



- Between flanges PN10 cast iron body, AISI 304 gate , NBR seat, with handwheel **Ref. 170** from DN 50 to DN 800
- Between flanges PN10 cast iron body, AISI 304 gate, NBR seat, with gearbox **Ref. 170** from DN 900 to DN 1000



- Between flanges PN10 cast iron body, AISI 304 gate , NBR seat, with handwheel and sensor **Ref. 170101 to 170801** from DN 100 to DN 800



- Bipolar sensors O + C kit **Ref. 9801351 and 9801352** from DN 50 to DN 300



- Sensor (alone) **Ref. 9801350** from DN 50 to DN 700



- Chain handwheel **Ref. 9801790-9801792** from DN 50 to DN 600



- Chain (per meter) **Ref. 9801795**



- Lever **Ref. 980178** from DN 50 to DN 300

KNIFE GATE VALVE CAST IRON-STAINLESS STEEL-NBR PN10 S-GATE

RANGE AND ACCESSORIES (SUITE) :



- SS ASTM A351 CF8M Deflector **Ref. 9801800 to 9801813** from DN 50 to DN 600



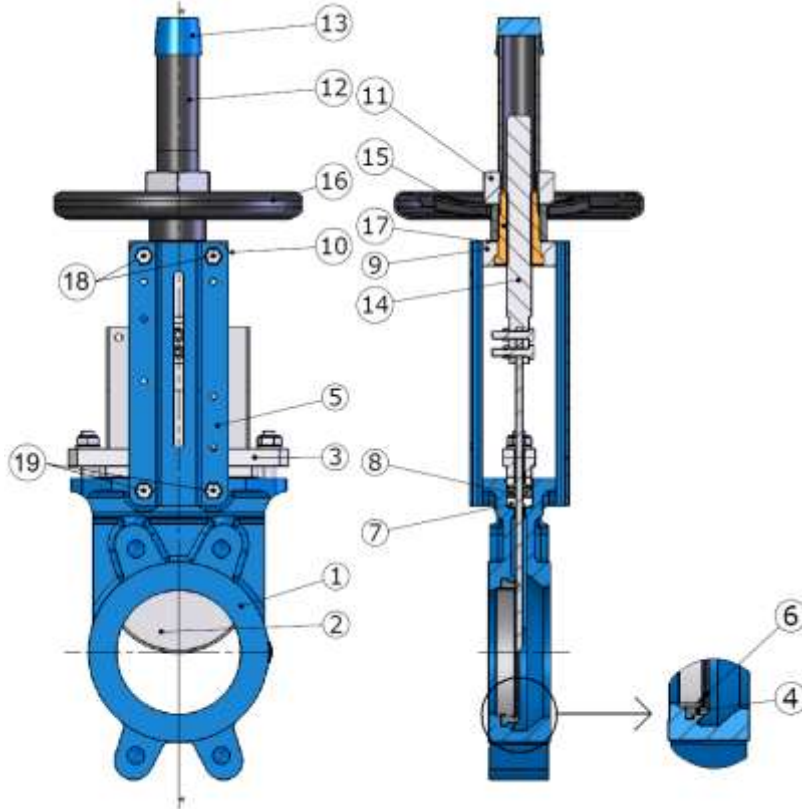
- SS ASTM A351 CF8M Deflector kit (with flange gasket) **Ref. 9801820 to 9801837** from DN 50 to DN 600



- 2 stainless steel support with 4 bolting **Ref. 9802001 to 9802011** from DN 50 to DN 400

KNIFE GATE VALVE CAST IRON-STAINLESS STEEL-NBR PN10 S-GATE

MATERIALS WITH HANDWHEEL DN50-800:



Repairability :



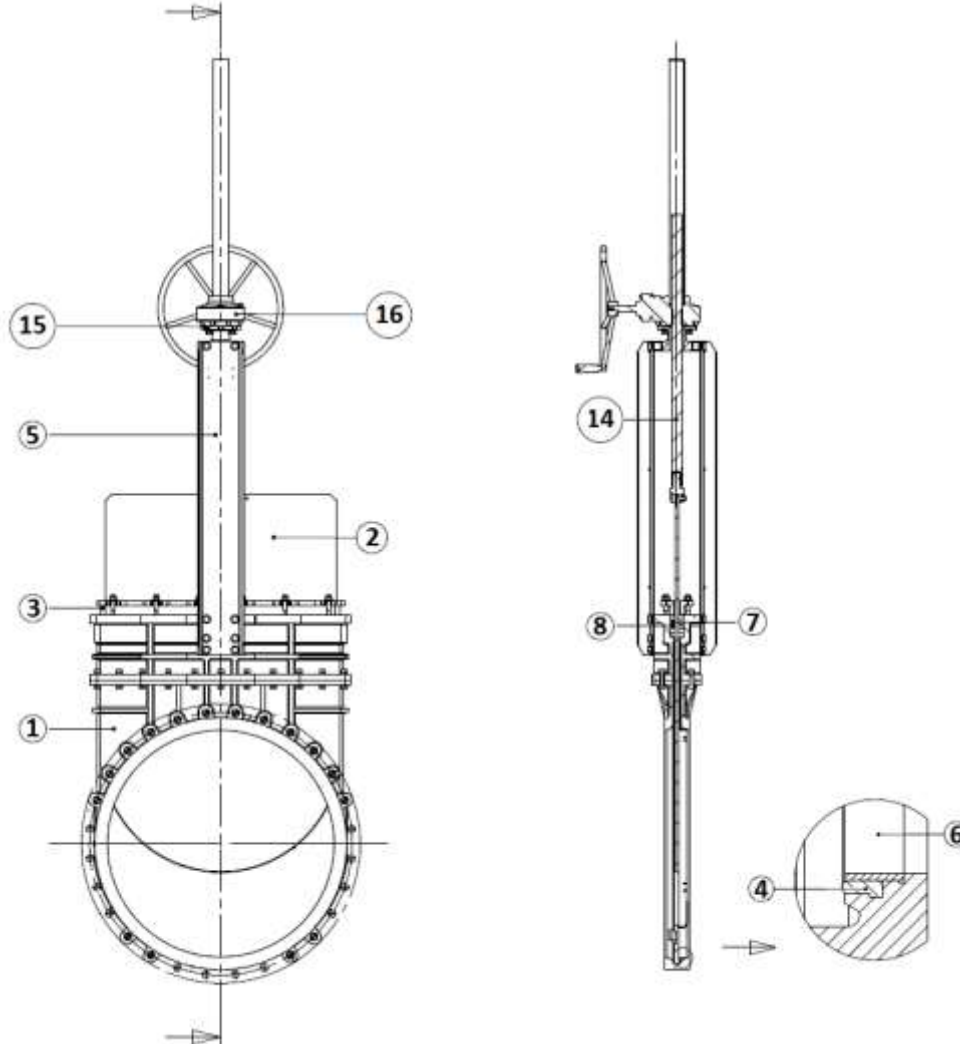
*Gaskets kit (item 4, 6, 7 and 8)	
DN (mm)	Ref.
50	9801851
65	9801852
80	9801853
100	9801854
125	9801855
150	9801856
200	9801857
250	9801858
300	9801859
350	9801860
400	9801861
450	9801862
500	9801863
600	9801864
700	9801865

(*) : Included in gaskets kit

Item	Designation	Materials
1	Body DN50-300	Cast iron EN GJL-250
	Body DN350-800	Ductile iron EN GJS-400 or 500
2	Gate	AISI 304
3	Packing gland nut	Ductile iron EN GJS-400-15
4(*)	Seat	NBR
5	Support	Painted steel
6(*)	Retainer	AISI 304
7(*)	Packing (Tress)	PTFE
8(*)	Packing (O ring)	NBR
9	Yoke	Steel
10	Greaser	Brass
11	Fixing screw	Steel
12	Hood	Steel
13	Hood cover	Plastic
14	Spindle	AISI 304
15	Stem nut	Bronze
16	Handwheel	Steel
17	Washer	Brass
18	Upper screw	AISI 304
19	Lower screw	

KNIFE GATE VALVE CAST IRON-STAINLESS STEEL-NBR PN10 S-GATE

MATERIALS WITH GEARBOX REF. 170 DN900-1000 :

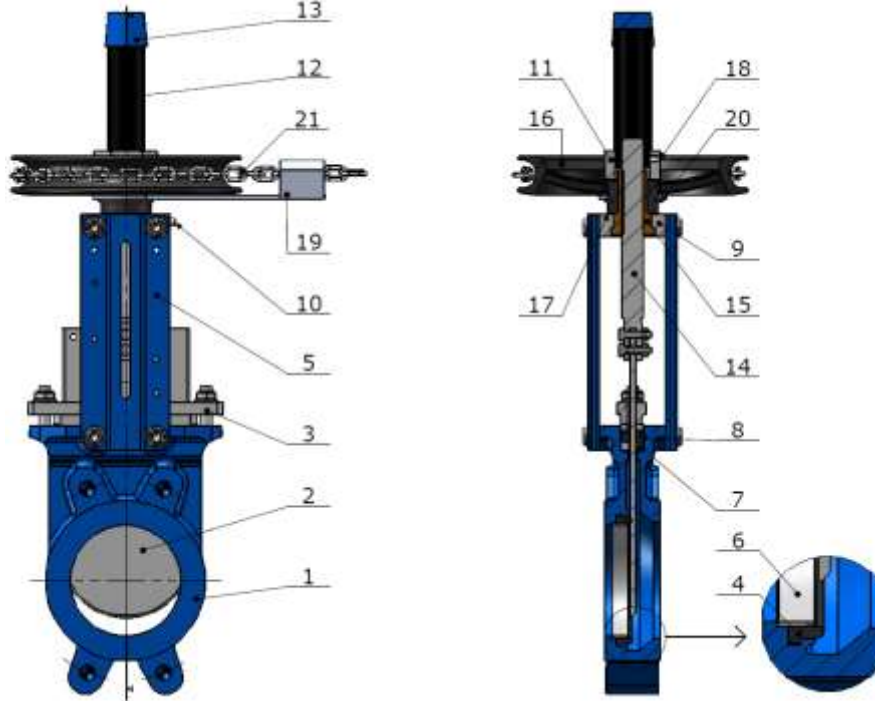


(*) : Included in gaskets kit

Item	Designation	Materials Ref. 170 DN900-1000
1	Body	Ductile iron EN-GJS 400-15
2	Gate	AISI 304
3	Packing gland nut	Steel
4(*)	Seat	NBR
5	Support	Painted steel
6(*)	Retainer	AISI 304
7(*)	Packing (Tress)	PTFE
8(*)	Packing (O ring)	NBR
14	Spindle	AISI 304
15	Bracket	Steel
16	Gearbox	

KNIFE GATE VALVE CAST IRON-STAINLESS STEEL-NBR PN10 S-GATE

MATERIALS WITH CHAIN HANDWHEEL :

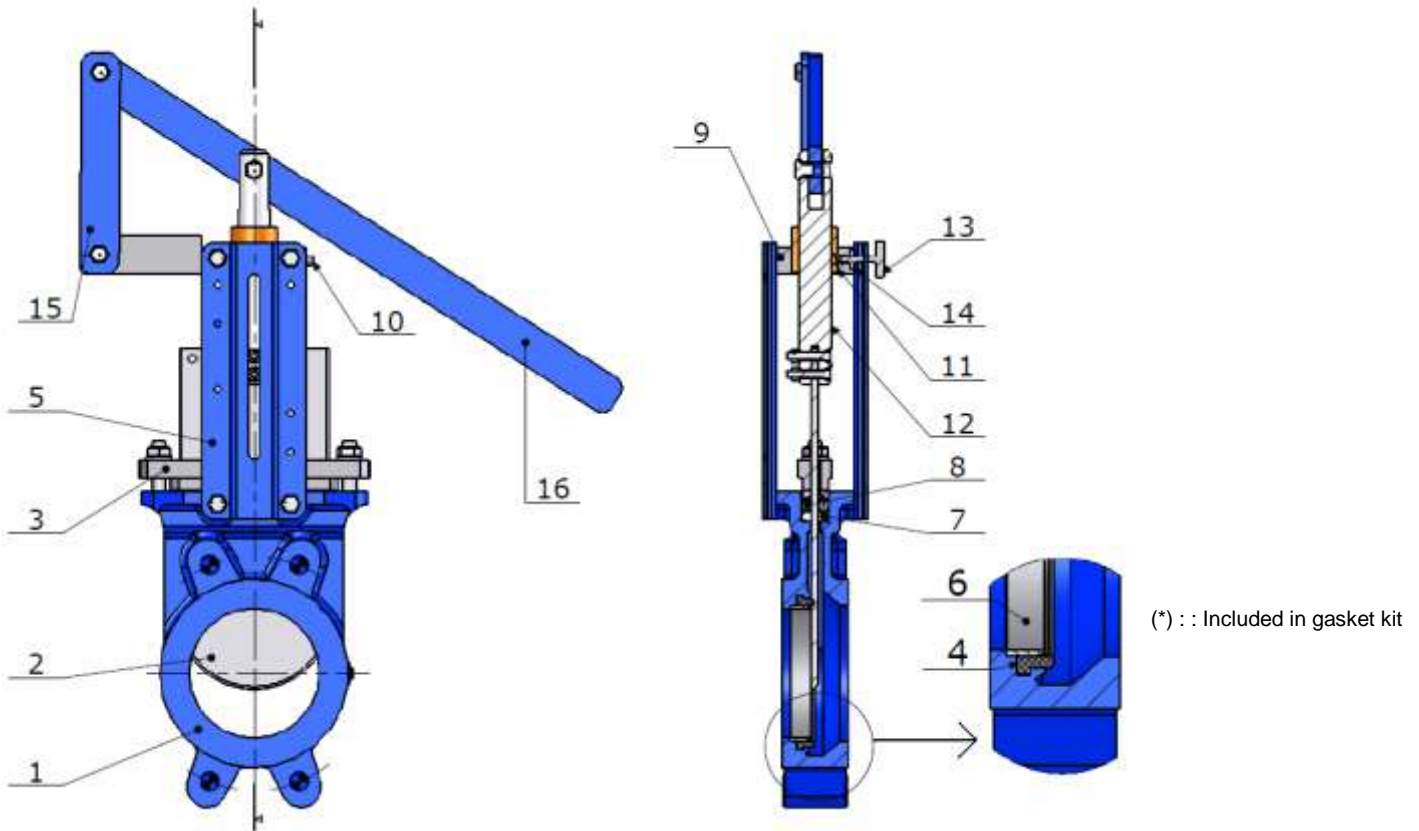


(*) : Included in gaskets kit

Item	Designation	Materials Ref. 170 + 980179
1	Body	Cast iron EN GJL-250
2	Gate	AISI 304
3	Packing gland nut	Ductile iron EN GJS-400-15
4(*)	Seat	NBR
5	Support	Painted steel
6(*)	Retainer	AISI 304
7(*)	Packing (Tress)	PTFE
8(*)	Packing (O ring)	NBR
9	Yoke	Steel
10	Oil hole	Steel
11	Fixing screw	Steel
12	Hood	Steel
13	Hood cover	Plastic
14	Spindle	AISI 304
15	Stem nut	Bronze
16	Handwheel	Steel
17	Washer	Brass
18	Fixing screw	AISI 304
19	Chain guide	Cast iron
20	Washer	Brass
21	Chain	Steel or stainless steel

KNIFE GATE VALVE CAST IRON-STAINLESS STEEL-NBR PN10 S-GATE

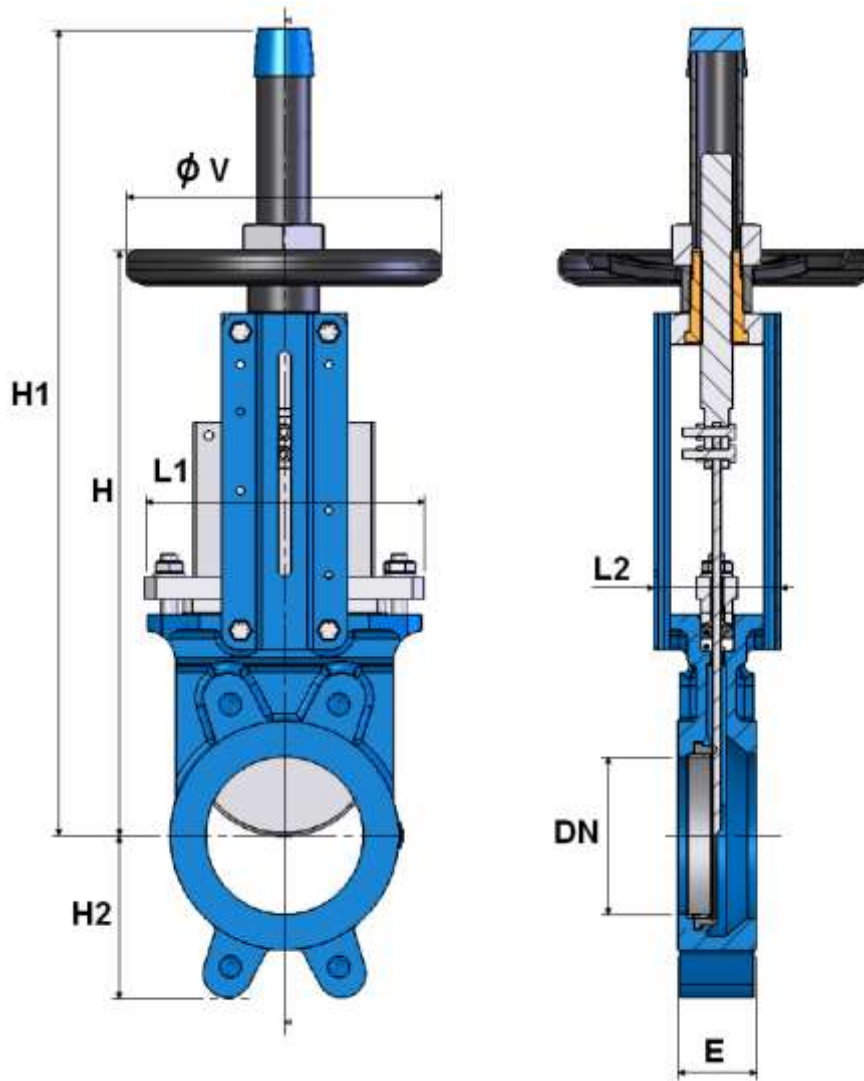
MATERIALS WITH LEVER :



Item	Designation	Materials Ref. 170 + 980178
1	Body	Cast iron EN GJL-250
2	Gate	AISI 304
3	Packing gland nut	Ductile iron EN GJS-400-15
4(*)	Seat	NBR
5	Support	Painted steel
6(*)	Retainer	AISI 304
7(*)	Packing (Tress)	PTFE
8(*)	Packing (O ring)	NBR
9	Yoke	Steel
10	Oil hole	Steel
11	Stem nut	Bronze
12	Spindle	AISI 304
13	Fixing screw	Steel
14	Wedge	Steel
15	Link	Steel
16	Lever	Steel

KNIFE GATE VALVE CAST IRON-STAINLESS STEEL-NBR PN10 S-GATE

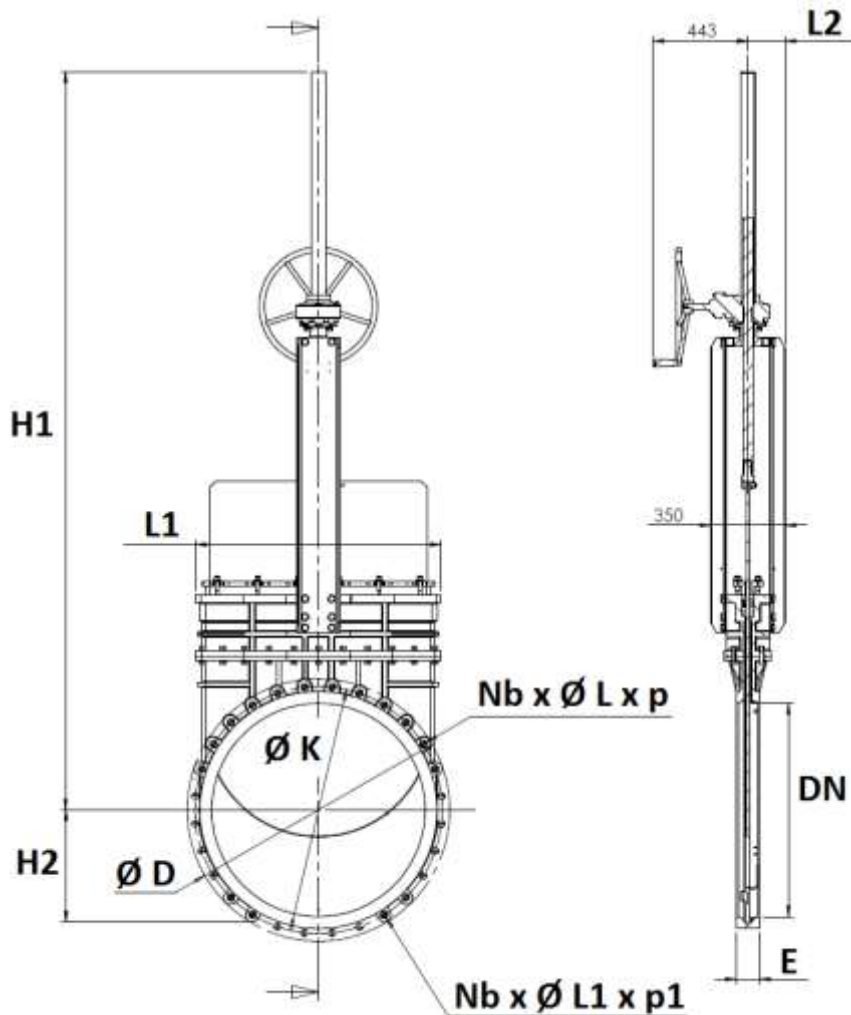
SIZE WITH HANDWHEEL (in mm) :



DN	50	65	80	100	125	150	200	250	300	350	400	450	500	600	700	800
E	40	40	50	50	50	60	60	70	70	96	100	106	110	110	110	110
H	289	316	342	382	415	458	575	676	776	906	1012	1098	1210	1416	1611	1870
H1	409	436	462	502	585	637	815	1016	1116	1336	1442	1628	1740	2046	2461	2820
H2	63	70	92	105	120	130	160	198	234	256	292	308	340	400	452	505
L1	124	139	154	174	192	217	270	326	380	438	493	546	620	714	830	970
L2	92	92	92	92	102	102	119	119	119	290	290	290	290	290	320	320
Ø V	200	200	200	200	250	250	300	300	300	500	500	500	500	500	800	800
Weight (Kg)	6.53	7.1	8.53	9.8	12.7	16.16	26.8	41	50	108	132	170	210	298	446	524

KNIFE GATE VALVE CAST IRON-STAINLESS STEEL-NBR PN10 S-GATE

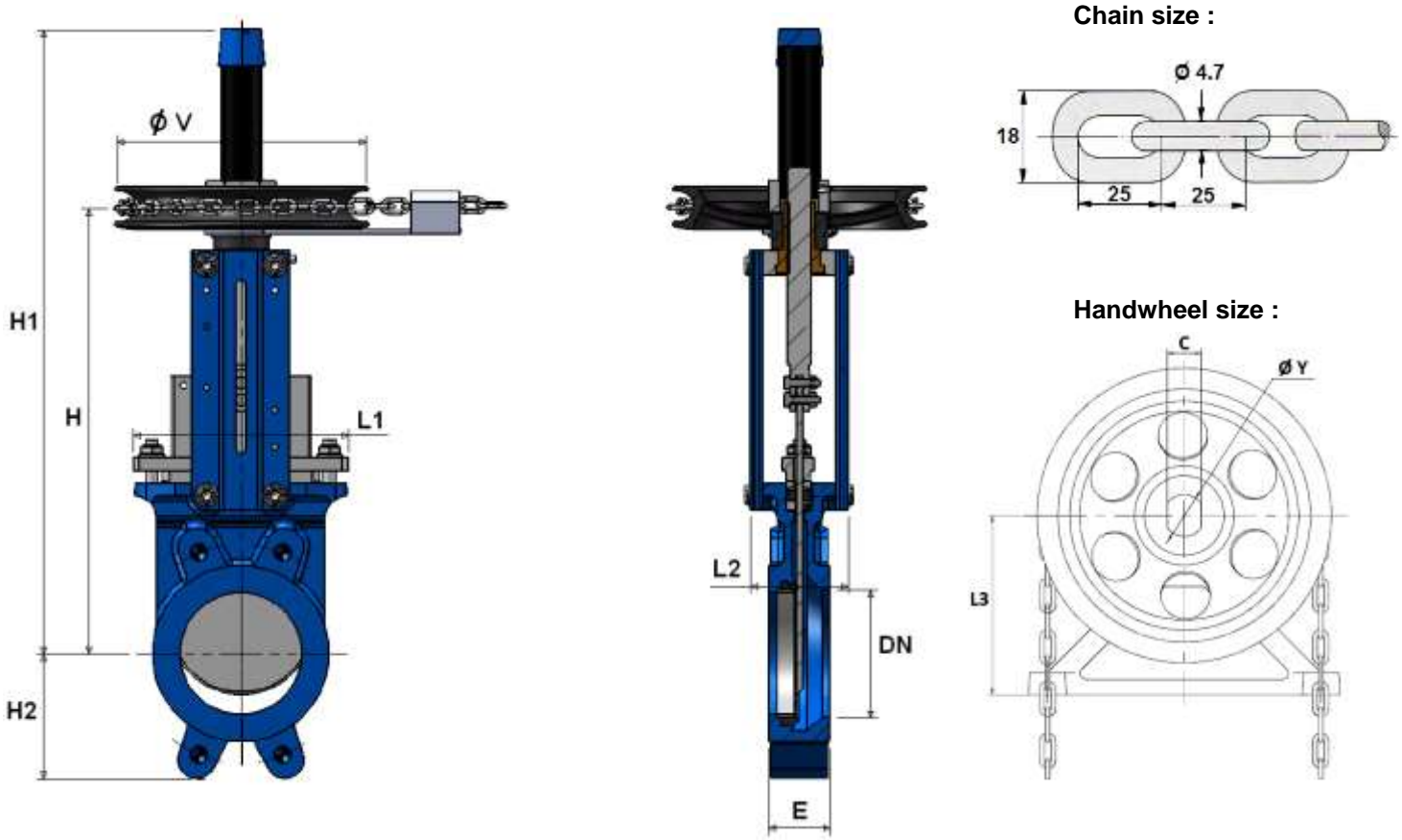
SIZE WITH GEARBOX REF.170 DN900-1000 (in mm):



DN	900	1000
E	110	110
H1	3167	3462
H2	479	525
L1	1050	1150
L2	170	175
Ø D	1116	1230
Ø K	1050	1160
Nb x Ø L x p (per face)	12 x M30 x 20	12 x M33 x 20
Nb x Ø L1 x p1 (per face)	4 x M30 x 45	4 x M33 x 45
Weight (Kg)	677	820

KNIFE GATE VALVE CAST IRON-STAINLESS STEEL-NBR PN10 S-GATE

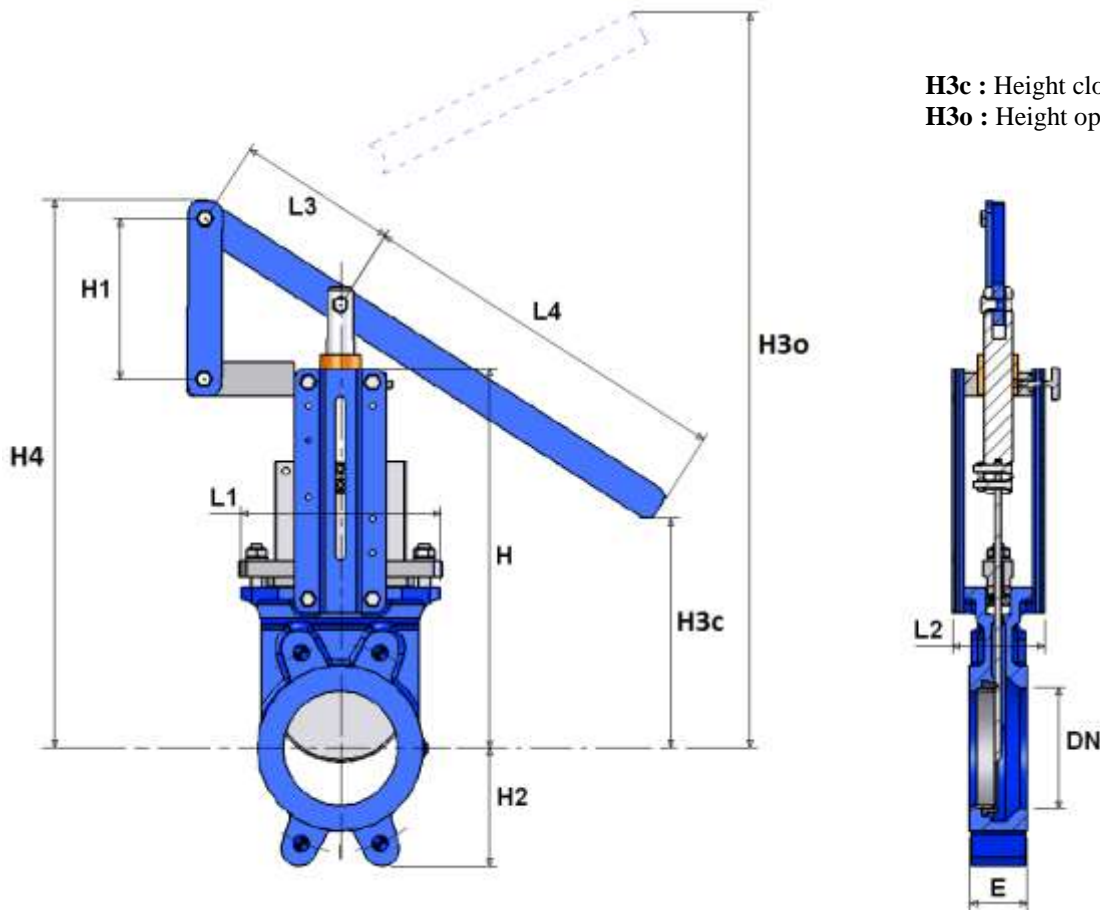
SIZE WITH CHAIN HANDWHEEL REF.170 + 980179 (in mm) :



DN	50	65	80	100	125	150	200	250	300	350	400	450	500	600
E	40	40	50	50	50	60	60	70	70	96	100	106	110	110
H	289	316	342	382	415	458	575	676	776	906	1012	1098	1210	1416
H1	409	436	462	502	585	637	815	1016	1116	1336	1442	1628	1740	2046
H2	63	70	92	105	120	130	160	198	234	256	292	308	340	400
L1	124	139	154	174	192	217	270	326	380	438	493	546	620	714
L2	92	92	92	92	102	102	119	119	119	290	290	290	290	290
Ø V	212	212	212	212	212	212	296	296	296	482	482	482	482	482
Ø Y	34	34	34	34	34	34	42	42	42	52	52	52	52	52
C	26	26	26	26	26	26	34	34	34	44	44	44	44	44
L3	135	135	135	135	135	135	180	180	180	278	278	278	278	278
Weig. Ref.170 + 980179 (Kg)	11.4	12	13.4	14.7	17.6	21	34.3	48.5	57.5	122.5	146.5	184.5	224.5	312.5

KNIFE GATE VALVE CAST IRON-STAINLESS STEEL-NBR PN10 S-GATE

SIZE WITH LEVER REF.170 + 980178 (in mm) :



H3c : Height closed valve
H3o : Height opened valve

DN	50	65	80	100	125	150	200	250	300
E	40	40	50	50	50	60	60	70	70
H	240	265	290	330	360	412	520	618	718
H1	95	95	95	95	140	140	160	255	255
H2	63	70	92	105	120	130	160	198	234
H3c (closed)	248	263	277	329	301	262	420	315	248
H3o (opened)	452	526	592	704	858	911	1210	1318	1762
H4	343	370	389	436	511	563	690	868	986
L1	124	139	154	174	192	217	270	326	380
L2	92	92	92	92	102	102	120	120	120
L3	140	140	140	140	140	140	230	230	230
L4	330	330	330	330	430	430	630	630	882
Weight Ref.170 + 980178 (Kg)	8.9	9.8	11	13.3	16	18.9	32.9	51.1	60

KNIFE GATE VALVE CAST IRON-STAINLESS STEEL-NBR PN10 S-GATE

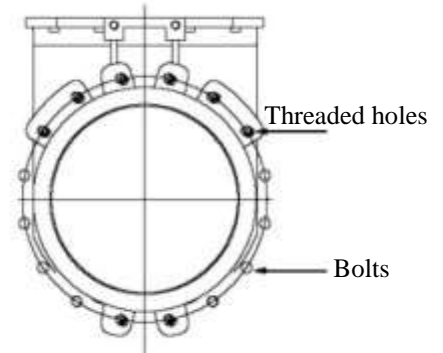
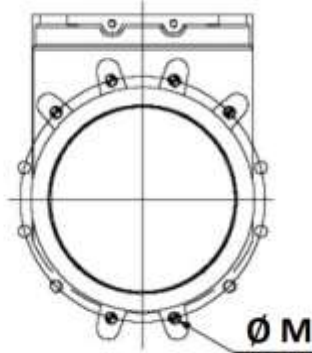
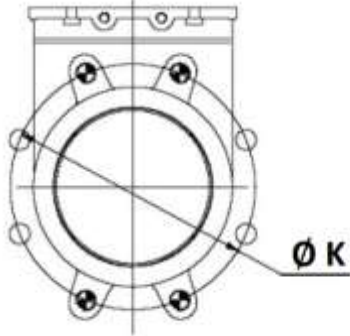
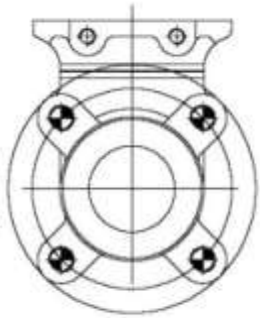
SIZE FIXING VALVE THREADED HOLES (BETWEEN FLANGES PN10 in mm) :

DN 50 – 65

DN 80 – 200

DN 250 – 300

DN350

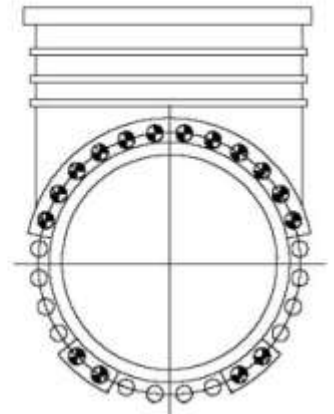
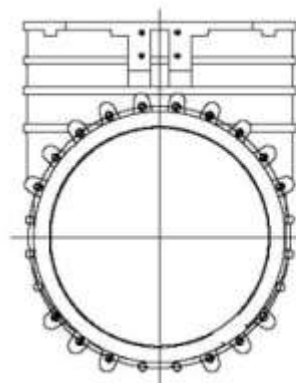
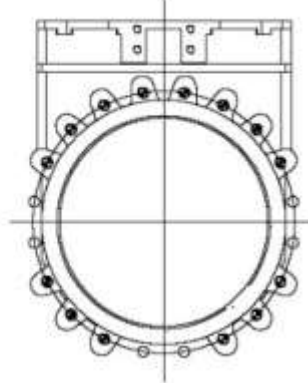
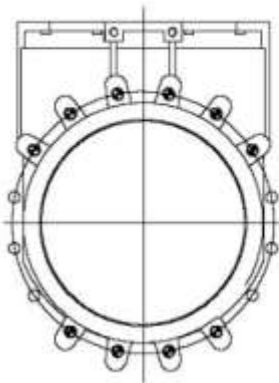


DN400

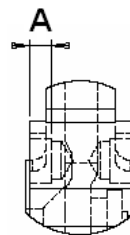
DN 450 – 600

DN 700-800

DN 900 - 1000



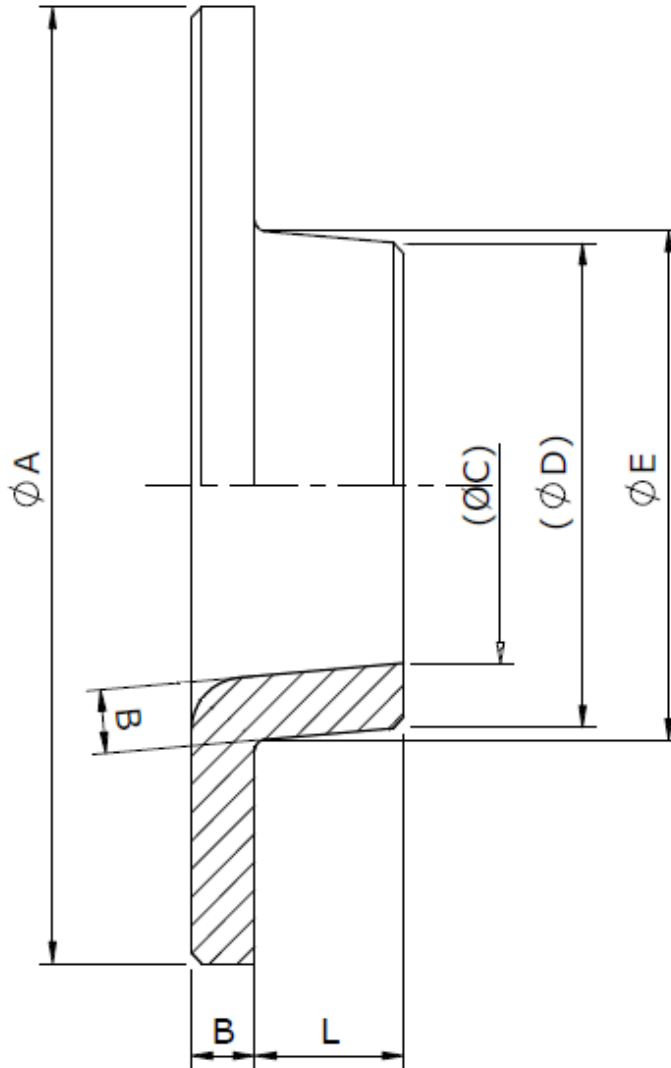
THREADED LENGHT FOR TOP BLIND HOLES :



DN	50	65	80	100	125	150	200	250	300	350	400	450	500	600	700	800	900	1000
Ø K	125	145	160	180	210	240	295	350	400	460	515	565	620	725	840	950	1050	1160
Ø M	M16	M16	M16	M16	M16	M20	M20	M20	M20	M20	M24	M24	M24	M27	M27	M30	M30	M33
Nb threaded holes	4	4	4	4	4	4	4	6	6	8	10	14	14	14	16	16	16	16
A	8	8	10	10	10	12	12	15	15	19	20	24	24	24	20	20	20	20
Nb of bolts	0	0	4	4	4	4	4	6	6	8	6	6	6	6	8	8	12	12

KNIFE GATE VALVE CAST IRON-STAINLESS STEEL-NBR PN10 S-GATE

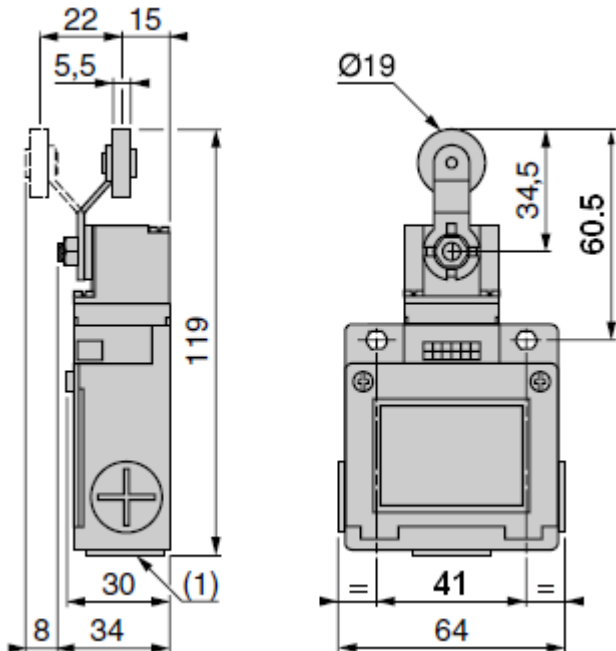
DEFLECTOR SIZE (in mm) :



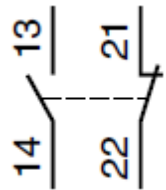
DN	50	65	80	100	125	150	200	250	300	350	400	450	500	600
$\varnothing A$	90	105	120	145	170	195	250	310	365	420	472	527	582	683
$\varnothing C$	32	47.5	59.5	78.5	104.5	127.5	178.5	226.5	278.5	323.5	374	402.7	451.7	552.7
$\varnothing D$	44	59.5	73.5	92.5	118.5	141.5	192.5	240.5	292.5	339.5	390	423.4	472.4	573.4
$\varnothing E$	48	63	78	98	123	148	198	247	297	347	397	447	497	597
B	6	6	7	7	7	7	7	7	7	8	8	10	10	8
L	14	14	19	19	18.5	23.5	22.5	27	26	39	40	44	46	44

KNIFE GATE VALVE CAST IRON-STAINLESS STEEL-NBR PN10 S-GATE

SENSOR SIZE (in mm) AND SCHEMA :



Bipolar sensor O + C
(XE2S P2151)



STANDARDS :

- Manufacturer certified ISO 9001 : 2015
- DIRECTIVE 2014/68/EU : For liquids of group 1 and gas of Group 2
 - DN50-100 : Article 4, §3 (SEP), no CE marking
 - DN125-1000 : Risk Category I, CE marking
- Certificate 3.1 on request
- Pressure test according to ISO 5208, Rate A
- Between flanges PN10 according to EN 1092-1 PN10

ADVICE : Our opinion and our advice are not guaranteed and SFERACO shall not be liable for the consequences of damages. The customer must check the right choice of the products with the real service conditions.