



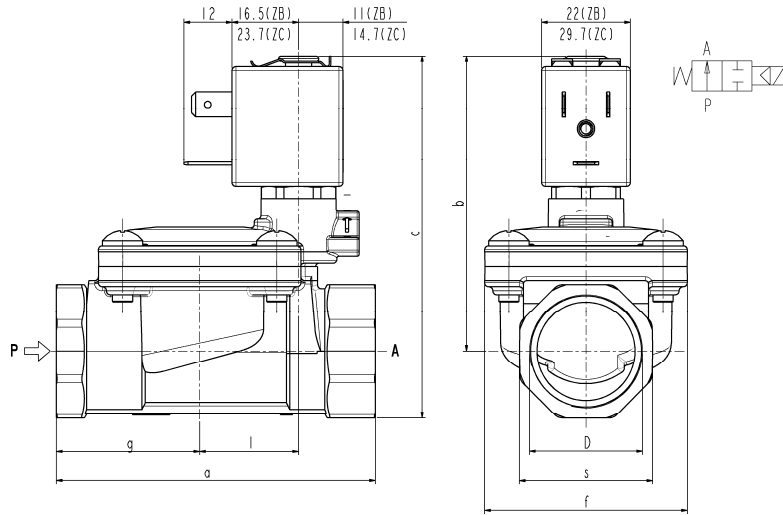
SOLENOID VALVE

2/2- NO (Normally open)

Pilot operated

G 3/8 ÷ G 1

L282



D	a	b	c	f	g	l	s
G 3/8	60	67	78	40	25,5	20	22
G 1/2	66	69	83	40	29	20	27
G 3/4	79	73,5	90	50	35,5	24,5	33
G 1	105	86	107	71	46	28	42

► GENERAL FEATURES

Diaphragm valve, pilot operated, having full orifice.
Suitable to shut off liquid and gaseous fluids (verify the compatibility of fluid with material in contact).

► TECHNICAL FEATURES

Maximum allowable pressure (PS) 20bar
Opening time from ~300ms to ~1500ms
Closing time from ~1000ms to ~2000ms
Fluid temperature -10°C +90°C (NBR)
0°C +130°C (FPM)
Max viscosity 5°E (~37 cStokes or mm²/s)

► MATERIALS IN CONTACT WITH FLUID

Body Brass
Sealing NBR or FPM
Internal components Brass and stainless steel
Seat Brass
Core tube Stainless steel
Shading coil Copper

► COIL

Approval
Encapsulation material
Insulation class
Ambient temperature
Continuous duty
Electric connection
Protection degree
Voltages DC
AC

ZB10K ZC10A	ZB12K ZC12A	ZB14K ZC14A
/	▲ UL and CSA	▲ UL and CSA
PA fiberglass reinforced F (155°C)	PET fiberglass reinforced F (155°C)	PET fiberglass reinforced H (180°C)
-10°C +60°C	-10°C +60°C	-10°C +75°C
ED 100%		
DIN 46340- 3 poles plug connector (EN 175301-803 for ZC)		
IP 65 (EN 60529) with plug connector	IP 67 (EN 60529) with plug connector	IP 67 (EN 60529) with plug connector
ZC: 12-24V (+10% -5%) ZB: 24V/50-60Hz - 120V/60Hz - 230V/50-60Hz - 220-230/50Hz 208-240/60Hz (on request) - (+10% -15%)		
(Other voltages and frequencies on request)		

▲ : approval valid for ZB12K – ZB14K only

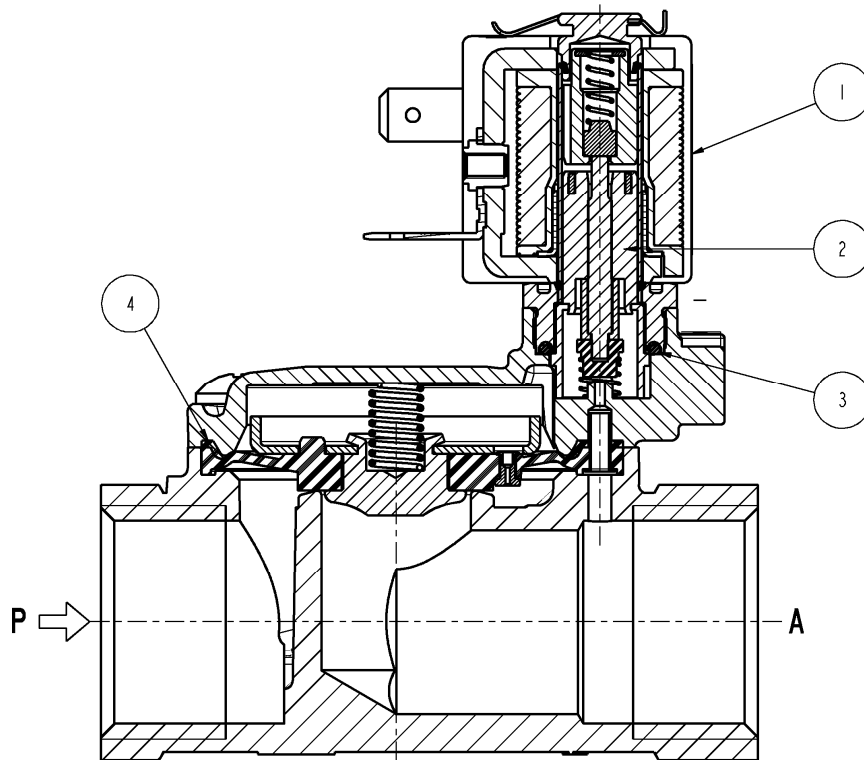
Port size ISO 228	Orifice size (mm)	Differential pressure (bar)				Kv (m ³ /h)	Series and type		Power absorption				Sealings	Notes	Weight (kg)							
		Δp max					Valve	Coil	AC (VA)			DC										
		Δp min	Gas		Liquids				Inrush	Holding	DC											
			AC	DC	AC	DC			VA	VA		W	W									
3/8	13,5	0,35	12	-	12	-	ZB10K ZB12K	11,7	10	7,6	-	NBR FPM NBR FPM NBR FPM		0,32								
1/2																						
3/4																						
1																						
3/8	13,5		-	12	-	12									ZC10A ZC12A	-	-	-	5,5	NBR FPM NBR FPM NBR FPM		0,38
1/2																						
3/4																						
1																						

► NOTES

- Sealings: NBR=Nitrile-butylene elastomer FPM=Fluoro-carbon elastomer
- Operation with gaseous media, at high pressure without any outlet restriction, can reduce the diaphragm life.
- On request coil in class H (ZB14K – ZC14A - see § "COIL")
- On request **WRAS** certified solenoid valve with EPDM sealing (certificate n° 1411048).

L282

► SPARE PARTS



Kit description			Kit P.N.	Consisting of:
Actuator kit			G3139801	Actuator kit pos.2 O-Ring guide assembly pos. 3
Diaphragm assembly	L282B	G3/8-1/2	2844302R	Diaphragm assembly pos.4
		G3/4	2299701R	
		G1	2380101R	
	L282V	G3/8-1/2	2844303R	
		G3/4	2299702R	
		G1	2380102R	
Coil			ZB ZC	Coil pos.1

► INSTALLATION

- Solenoid valve can be mounted in any position; vertical with coil upwards preferred.

THE VALIDITY OF REPORTED DATA IS REFERRED TO THE DATE OF ISSUE. POSSIBLE UPDATES ARE AVAILABLE ON REQUEST