

SLIM AND ELEGANT, THAT CAN FIT IN TIGHT AND NARROW SPACES PERFORMING EXACTLY SIMILAR TO THE STANDARD HEATER.

When the available space doesn't allow the placement of a standard dimensions water heater or simply when you need to save space, SCC-EWH SLIM SERIES is the ideal solution to derive the whole benefit of an appliance with a very high performance in only 35.5 cm width.

Even if its diameter is reduced, the Slim Series water heaters keep all the qualitative features that mark all SCC products: high thermal insulation thickness, high heating unit performance, absolute safety system, glasslined inner tank, magnesium anode, rust-proof treatment and whatever is necessary to guarantee maximum efficiency for many working years.

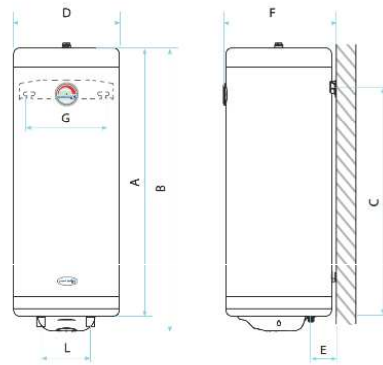


-  GLASSLINED TANK
-  MAGNESIUM ANODE
-  5 BOLT FLANGE
-  95%
HIGH PERFORMANCE
-  STOP
STOP
DOUBLE SAFETY
-  HIGH INSULATION
-  STAINLESS STEEL
-  NO RUST
-  SAFETY VALVE
-  TOP SAFETY VALVE
-  40° 60° 80°
TEMP. REGULATOR
-  THERMOMETER
-  OPERATION LAMP
-  RECYCLING PARTS

  SCC-EWH-V 30 SLIM 1 WATER WITHDRAWAL	  SCC-EWH-V 40 SLIM 1-2 WATER WITHDRAWALS	  SCC-EWH-V 50 SLIM 2 WATER WITHDRAWALS	  SCC-EWH-V 60 SLIM 2-3 WATER WITHDRAWALS	  SCC-EWH-V 80 SLIM 3 WATER WITHDRAWALS
--	---	---	---	---



الزخف السعودي
Saudi Ceramics



15



SCC EWH-V	A	B	C	D	E	F	G	L	CAPACITY litres	POWER W	VOLTAGE V	HEATING TIME $\Delta t=45^{\circ}\text{C}$	MAX WORKING PRESSURE MPa	INSULATION THICKNESS media average mm	NET WEIGHT Kg
SLIM RANGE ELECTRIC WATER HEATERS															
SCC-EWH-V30 SLIM	505	555	370	355	90	375	300	100	30	1200	127 or 220	1 H, 45	0.75	20	12
SCC-EWH-V40 SLIM	635	685	500	355	90	375	300	100	40	1200	127 or 220	2 H, 15	0.75	20	14
SCC-EWH-V50 SLIM	765	815	630	355	90	375	300	100	50	1200	127 or 220	2 H, 45	0.75	20	17
SCC-EWH-V60 SLIM	895	945	760	355	90	375	300	100	60	1200	127 or 220	3 H, 05	0.75	20	19
SCC-EWH-V80 SLIM	1155	1205	1020	355	90	375	300	100	80	1200	127 or 220	3 H, 30	0.75	20	24